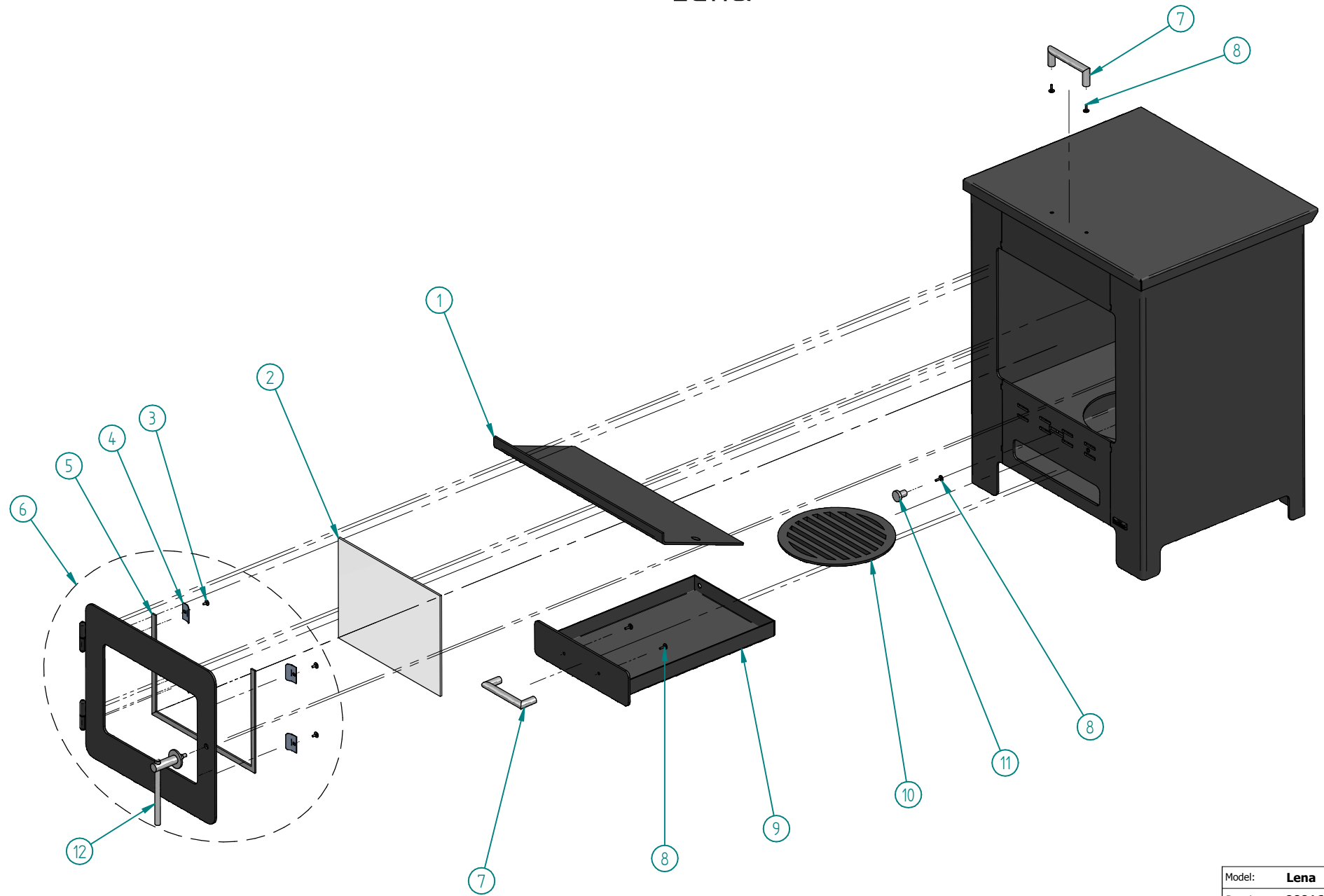


Lena



Model:	Lena
Drawing no.:	000165201403001
Version:	001
Date:	14-04-2014
Page:	1 / 1